

Solving Your Relay Requirements Since 1922



Amperite Co.
 4201 Tonnelle Ave.
 Suite 6
 North Bergen, NJ 07047
 (800) 752-2329
www.Amperite.com

AR2 - Series

Automotive Relays



40 Ampere rating at 85°C
Quick connect terminations
Flange mounting or in-line connector
1 Form C or 2 Form A contacts

SPECIFICATIONS

Contact Material	Silver Alloy		
Contact Resistance	Maximum 100 Milliohms		
Operate Time	Maximum 10 Milliseconds		
Release Time	Maximum 10 Milliseconds		
Insulation Resistance	100 Megohm Minimum (500 VDC)		
Dielectric Withstanding Voltage	--		
Coil to Contact	500 VAC (50 / 60 Hz) for 1 Minute		
Between Open Contacts	500 VAC (50 / 60 Hz) for 1 Minute		
Vibration Resistance	Functional	10 to 55 Hz Double Amplitude of 1.5 mm	
	Destruction	10 to 55 Hz Double Amplitude of 1.5 mm	
Shock Resistance	Functional	20 G's Minimum	
	Destruction	100 G's Minimum	
Life (Minimum Operations)	Mechanical	At 180 CPM	10,000,000
	Electrical	At 20 CPM	100,000
Ambient Temperature	-40° C to +85° C		
Operating Humidity	98% RH @ 40° C		
Unit Weight	42 Grams		

Solving Your Relay Requirements Since 1922



Amperite Co.
 4201 Tonnelle Ave.
 Suite 6
 North Bergen, NJ 07047
 (800) 752-2329
 www.Amperite.com

CONTACT RATINGS

Arrangement	1C , 2A
Resistive Load Cos. ? = 1	N.C. 30A / N.O. 40A
Maximum Switched Current	40A
Maximum Switched Power	500W

COIL DATA (at 20°C)

Nominal Voltage	12 VDC
Pick-up Voltage VDC (Max.)	9 VDC
Drop-out Voltage VDC (Min.)	0.6 VDC
Coil Resistance	80 ?
Power Consumption	1.8 Watts
Temperature Rise (Nominal Voltage)	75°C
Max. Allowable Voltage	150% of Nominal Voltage

THE AMPERITE PART NUMBERING SYSTEM IS LISTED BELOW. IF YOU DO NOT SEE THE NUMBER LISTED THAT YOU NEED, PLEASE CONTACT US. WE CAN PROVIDE MOST TYPES OF RELAYS AVAILABLE TODAY.

Part Number	CONTACT ARRANGEMENT	COIL VOLTAGE	TERMINATION
AR2-1C 012D 01-F	1C = 1 Form C	012D = 12 VDC	01-F = Plug-in Flange Mount
AR2-1C 012D 01	1C = 1 Form C	012D = 12 VDC	01 = Plug-in Mount
AR2-2A 012D 01-F	2A = 2 Form A	012D = 12 VDC	01-F = Plug-in Flange Mount
AR2-2A 012D 01	2A = 2 Form A	012D = 12 VDC	01 = Plug-in Mount
AR2-2A 024D 01-F	2A = 2 Form A	024D = 24 VDC	01-F = Plug-in Flange Mount
AR2-2A 024D 01	2A = 2 Form A	024D = 24 VDC	01 = Plug-in Mount

Solving Your Relay Requirements Since 1922

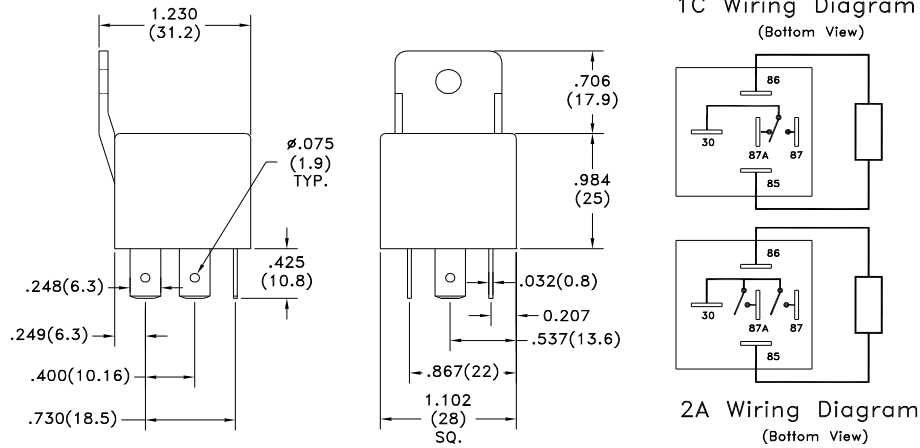


Amperite Co.

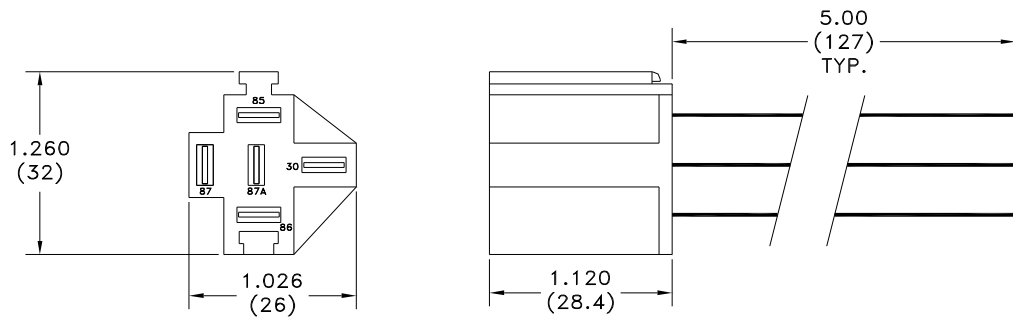
**4201 Tonnelle Ave.
Suite 6
North Bergen, NJ 07047**

(800) 752-2329

www.Amperite.com



Outline Dimensions AR2
Flange Mount



Coil Wiring 14 Gage Stranded 1-Blue, 1-Yellow
 Contact Wiring 12 Gage Stranded 1- White, 1-Black, 1-Red
 Wires are stripped and capped

Socket Outline Dimensions RS-308