



Solving your relay requirements since 1922

Amperite Co.

(800) 752-2329  
www.Amperite.com

## ST2 Series Solid State Interval (One-Shot) Timer

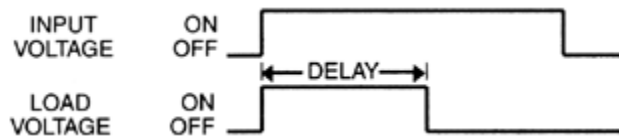


- ... 100% solid state circuitry - no moving parts
- ... CMOS digital timing circuitry
- ... Fixed or field adjustable delays from milliseconds to hours
- ... 2 amperes continuous load current (10 amperes available, consult factory)
- ... UL File # Pending
- ... CSA File #Pending

### Timing Mode:

Upon application of power the load is energized and the time delay cycle is initiated. At the end of the delay time the load is de-energized. Reset is accomplished by removing input power.

### Timing Diagram:



### Contact Information:

Solid state switching device 1 form A; normally open series connection. Continuous current rating 2 amperes. Maximum inrush 20 amperes. Voltage drop 2.5 volts RMS or less @ 2 amperes. (For 10 ampere load current rating consult factory)

### Timing Specifications:

Timing: Factory fixed, or .1 seconds to 100 hours in any of the ranges below. Timing is set by user supplied resistor or potentiometer. Custom timing available.

**Timing ranges:**

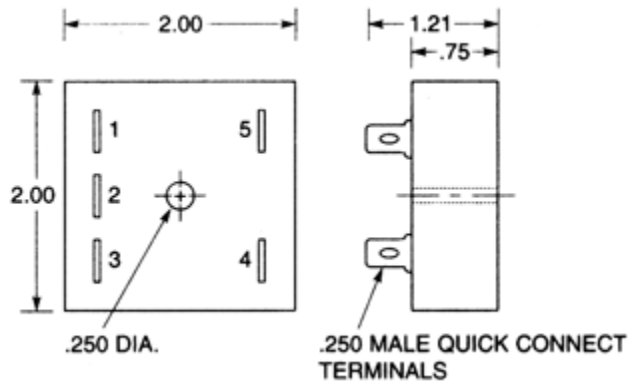
- |                    |                    |
|--------------------|--------------------|
| .1 to 10 seconds   | 1 to 100 minutes   |
| .2 to 20 seconds   | 10 to 1000 minutes |
| 1 to 100 seconds   | .1 to 10 hours     |
| 10 to 1000 seconds | 1 to 100 hours     |
| .1 to 10 minutes   |                    |

Timing tolerance: fixed units +/- 10%

Timing repeatability: 2%

Timing cycle interrupt transfer: none

**Outline Dimensions:**



**AC (60 Hz) and DC Input Voltages & Limits**

Nominal	Minimum	Maximum
12V	10V	14V
24V	20V	28V
48V	41V	55V
110V	95V	125V
120V	105V	130V
230V	190V	255V

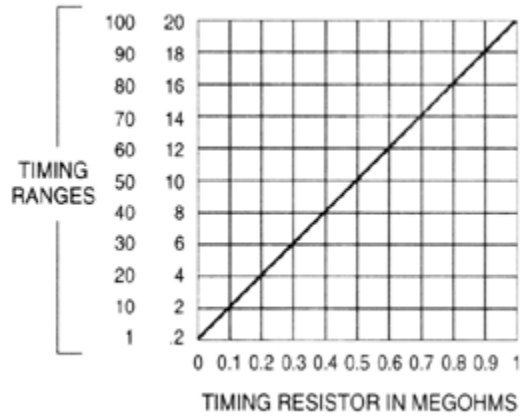


Solving your relay requirements since 1922

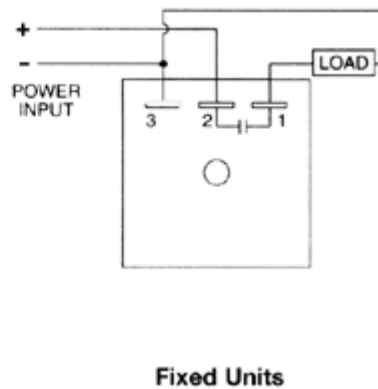
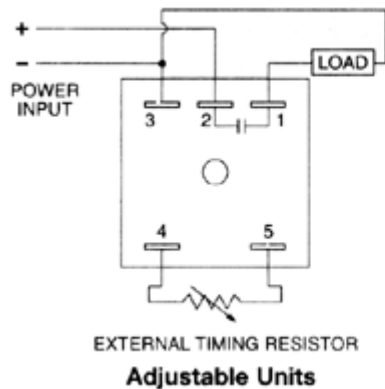
Amperite Co.

(800) 752-2329  
www.Amperite.com

### External Resistor Selection:



### Wiring Diagrams:



### Mechanical Information:

Enclosure 2 X 2 X 3/4 inch black plastic, epoxy sealed. Center hole mounting. Three or five 1/4 inch quick connect male terminals



### Ordering Information:

Definition of a part number for the Amperite ST2 Series Time Delay Relay:

Example:

120   A   .1 - 10   M   ST2  
 ↑   ↑   ↑   ↑   ↑   ↑  
 A   B   C   D   E   F

**A:** Denotes nominal input voltage. Voltages available: 12V, 24V, 120V & 230V AC; 12V, 24V, 48V & 110V DC. **Custom voltages are available.**

**B:** Denotes type of input power required for operation: A = AC - Alternating Current; D = DC - Direct Current.

**C & D:** Denotes range of adjustability by using an external resistor or potentiometer, where C is the minimum timing and D is the maximum timing. Standard timing span is 100:1. For fixed timing units specify a single number.

**E:** Denotes unit of time delay: S=seconds; M=minutes; H=hours.

**F:** Denotes Amperite ST2 Series solid state, normally open time delay.